

STORM

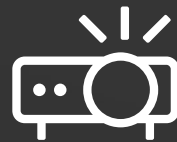
TECHNICAL SERVICES FOR
EVENTS, THEATRE, MUSIC,
EXHIBITION, FILM & TV



Lighting



Sound



Video



Rigging



Cable & Distro



Set & Stage

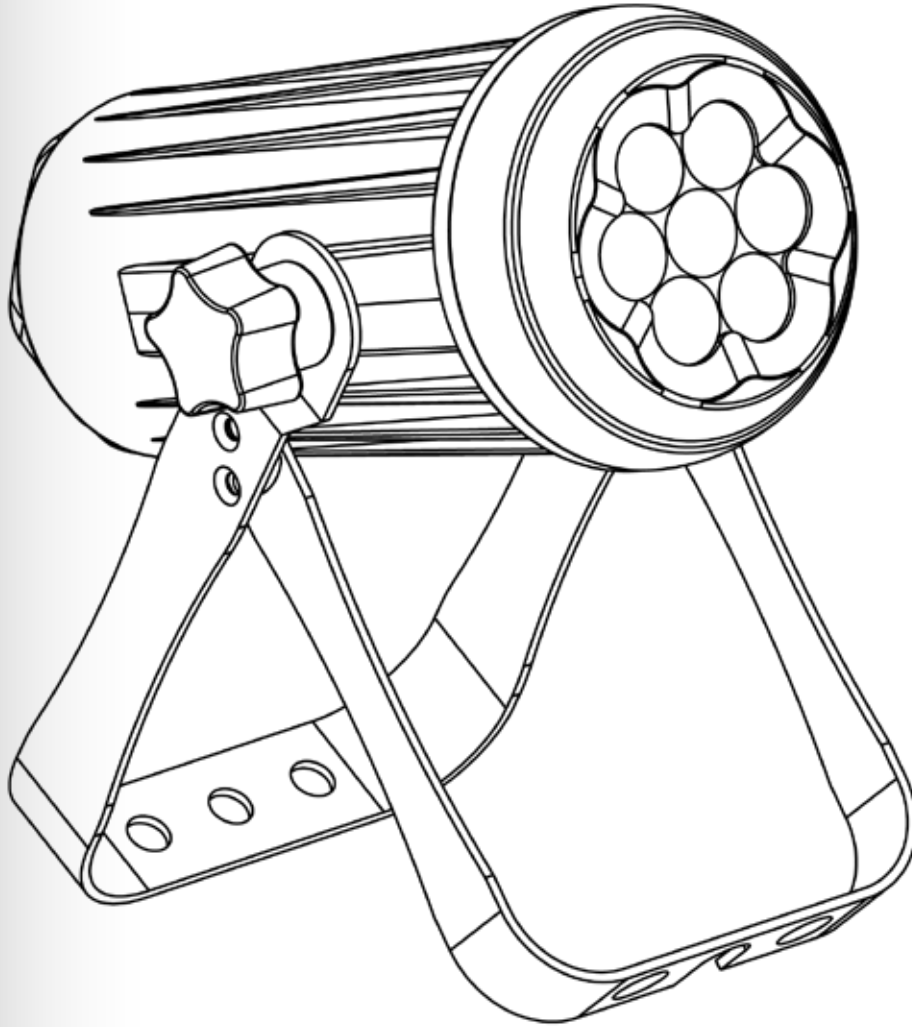
01483 757211

HIRE@STORMLTD.CO.UK

WWW.STORMLTD.CO.UK

COLORdash™  **Accent**

User Manual




CHAUVET®
PROFESSIONAL

Edition Notes The COLORdash™ Accent User Manual Rev. 6 covers the description, safety precautions, installation, programming, operation, and maintenance of the COLORdash™ Accent. Chauvet released this edition of the COLORdash™ Accent User Manual in April 2015.

Trademarks CHAUVET® is a registered trademark of CHAUVET & Sons LLC. (d/b/a CHAUVET® or Chauvet). The CHAUVET® logo in its entirety including the CHAUVET® name and the dotted triangle, and all other trademarks in this manual pertaining to services, products, or marketing statements are owned or licensed by Chauvet. Any other product names, logos, brands, company names, and other trademarks featured or referred to within this document are the property of their respective trademark holders.

Copyright Notice Chauvet owns the content of this User Manual in its entirety, including but not limited to pictures, logos, trademarks, and resources.

© **Copyright 2015 Chauvet. All rights reserved.**

Electronically published by Chauvet in the United States of America.

Manual Use Chauvet authorizes its customers to download and print this manual for professional information purposes only. Chauvet expressly prohibits the usage, copy, storage, distribution, modification, or printing of this manual or its content for any other purpose without written consent from Chauvet.

Document Printing For better results, print this document in color, on letter size paper (8.5 x 11 in), double-sided. If using A4 paper (210 x 297 mm), configure your printer to scale the content accordingly.

Intended Audience Any person in charge of installing, operating, and/or maintaining this product should completely read through the guide that shipped with the product, as well as this manual, before installing, operating, or maintaining this product.

Disclaimer Chauvet believes that the information contained in this manual is accurate in all respects. However, Chauvet assumes no responsibility for any errors or omissions in this document. Chauvet reserves the right to revise and make changes to the content of this document without obligation that Chauvet notify any person or company of such revision or changes. This does not in any way constitute a commitment by Chauvet to make such changes. Chauvet may issue a revision of this manual or a new edition to incorporate such changes.

Document Revision The COLORdash™ Accent User Manual Rev. 6 supersedes all previous versions of this manual. Discard any older versions of this manual and replace with this version. Go to www.chauvetprofessional.com for the latest version.

Author	Date	Editor	Date
D. Coupe	4/2/15	M. Trouard	4/21/15

Table of Contents

- 1. Before You Begin 1**
 - What Is Included 1
 - Claims 1
 - Manual Conventions 1
 - Symbols 1
 - Product At A Glance 2
 - Safety Notes 2
 - Personal Safety 2
 - Mounting And Rigging 2
 - Power And Wiring 2
 - Operation 2
 - Expected LED Lifespan 2
- 2. Introduction 3**
 - Description 3
 - Features 3
 - Overview 4
 - Dimensions 5
- 3. Setup 6**
 - AC Power 6
 - AC Plug 6
 - DMX Linking 6
 - DMX Personalities 6
 - Master/Slave Connectivity 6
 - Mounting 7
 - Orientation 7
 - Rigging 7
 - Procedure 7
- 4. Operation 8**
 - Control Panel Description 8
 - Control Options 8
 - Dip Switch Assignments 8
 - Operation Modes 9
 - Programming 9
 - Starting Address 9
 - Procedure 9
 - STATIC Mode 10
 - STATIC Mode Configuration 10
 - Procedure 10
 - AUTO Mode 10
 - Procedure 10
 - Master/Slave 10
 - DMX Values 11
- 5. Technical Information 13**
 - Product Maintenance 13
- 6. Technical Specifications 14**
 - Returns 15
- Contact Us 16**

1. BEFORE YOU BEGIN

- What Is Included**
- COLORdash™ Accent
 - Warranty Card
 - Quick Reference Guide

Claims Carefully unpack the product immediately and check the box to make sure all the parts are in the package and are in good condition.




If the box or the contents (the product and included accessories) appear damaged from shipping or show signs of mishandling, notify the carrier immediately, not Chauvet. Failure to report damage to the carrier immediately may invalidate your claim. In addition, keep the box and contents for inspection.

For other issues, such as missing components or parts, damage not related to shipping, or concealed damage, file a claim with Chauvet within 7 days of delivery.

Manual Conventions

Convention	Meaning
1–512	A range of values in the text
50/60	A set of mutually exclusive values in the text
[10]	A DIP switch to be configured
<SET>	A button on the product’s control panel
Settings	A product function or a menu option
MENU>Settings	A sequence of menu options
1–10	A range of menu values from which to choose in a menu
Yes/No	A set of two mutually exclusive menu options in a menu
ON	A unique value to be entered or selected in a menu

Symbols

Symbols	Meaning
	Critical installation, configuration, or operation information. Failure to comply with this information may cause the product not to work, damage third-party equipment, or cause harm to the operator.
	Important installation or configuration information. Failure to comply with this information may keep the product from working.
	Useful information.



The term “DMX” used throughout this manual refers to the USITT DMX512-A digital data transmission protocol.

Product At A Glance	Use on Dimmer	X	Auto Programs	P
	Outdoor Use	X	Auto-Ranging Power Supply	P
	Master/Slave	P	Replaceable Fuse/Breaker	X
	DMX	P	User-Serviceable	X

Safety Notes

Read all the following Safety Notes before working with this product. These notes include important information about the installation, usage, and maintenance of this product.



This product contains no user-serviceable parts. Any reference to servicing in this User Manual will only apply to properly trained Chauvet certified technicians. Do not open the housing or attempt any repairs.



All applicable local codes and regulations apply to proper installation of this product.

Personal Safety

- Avoid direct eye exposure to the light source while the product is on.
- Always disconnect this product from its power source before servicing.
- Always connect this product to a grounded circuit to avoid the risk of electrocution.
- Do not touch this product’s housing during operation because it may be very hot.
- The product is not intended for permanent installation.

Mounting And Rigging

- This product is for indoor use only! To prevent risk of fire or shock, do not expose this product to rain or moisture. (IP20)
- CAUTION: When transferring product from extreme temperature environments, (e.g. cold truck to warm humid ballroom) condensation may form on the internal electronics of the product. To avoid causing a failure, allow product to fully acclimate to the surrounding environment before connecting it to power.
- Mount this product in a location with adequate ventilation, at least 20 in (50 cm) from adjacent surfaces.
- Make sure there are no flammable materials close to this product while it is operating.
- When hanging this product, always secure to a fastening device using a safety cable.

Power And Wiring

- Always make sure you are connecting this product to the proper voltage in accordance with the specifications in this manual or on the product’s specification label.
- To eliminate unnecessary wear and improve its lifespan, during periods of non-use completely disconnect the product from power via breaker or by unplugging it.
- Never connect this product to a dimmer pack or rheostat.
- Never disconnect this product by pulling or tugging on the power cable.

Operation

- Do not operate this product if you see damage on the housing, lenses, or cables. Have the damaged parts replaced by an authorized technician at once.
- Do not cover the ventilation slots when operating to avoid internal overheating.
- The maximum ambient temperature is 113 °F (45 °C). Do not operate this product at a higher temperature.
- In case of a serious operating problem, stop using this product immediately!



In the unlikely event that your Chauvet product may require service, contact Chauvet Technical Support.

Expected LED Lifespan

LEDs gradually decline in brightness over time, mostly because of heat. Packaged in clusters, LEDs exhibit higher operating temperatures than in ideal, single-LED conditions. For this reason, using clustered LEDs at their fullest intensity significantly reduces the LEDs’ lifespan. Under normal conditions, this lifespan can be 40,000 to 50,000 hours. If extending this lifespan is vital, lower the operating temperature by improving the ventilation around the product and reducing the ambient temperature to an optimal operating range. In addition, limiting the overall projection intensity may also help to extend the LEDs’ lifespan.

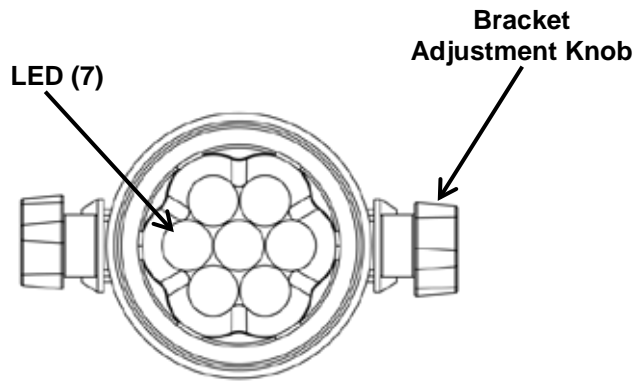
2. INTRODUCTION

Description The COLORdash™ Accent is a small LED-based, DMX controllable, wash light designed for indoor applications.

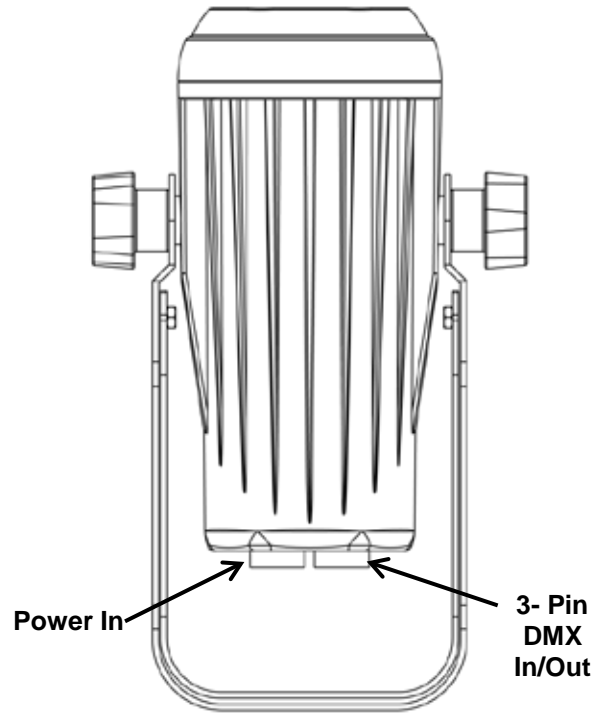
The COLORdash™ Accent is a high-power, high luminance LED wash product. This product consists of a small aluminum casing that houses the internal power supply, the main control, the control panel, the LED drivers, the LED boards, as well as the power and signal connectors. The COLORdash™ Accent includes one double-bracketed yoke that can be both a floor mount and hanging support.

- Features**
- 3-, 4-, or 9-channel RGBW LED wash product
 - Operating modes:
 - 3-channel: RGB control
 - 4-channel: RGBW
 - 9-channel: RGBW, dimmer, strobe, macro, auto, auto speed
 - RGBW color mixing with or without DMX controller
 - Direct DMX input and output
 - Automatic programs with or without DMX controller
 - Static control with or without DMX controller
 - 0–100% dimmer
 - Macros
 - Master/Slave operation
 - Lightweight, black aluminum casing
 - Natural convection cooling (no fans)
 - High power (1 W, 350 mA) LEDs
 - Double-bracketed yoke that doubles as a floor stand

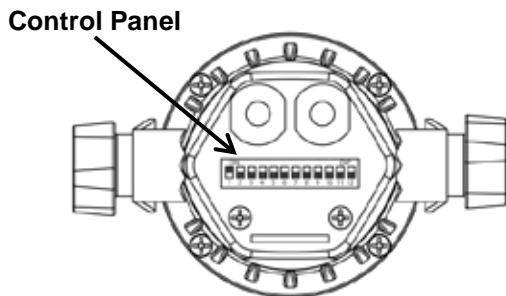
Overview



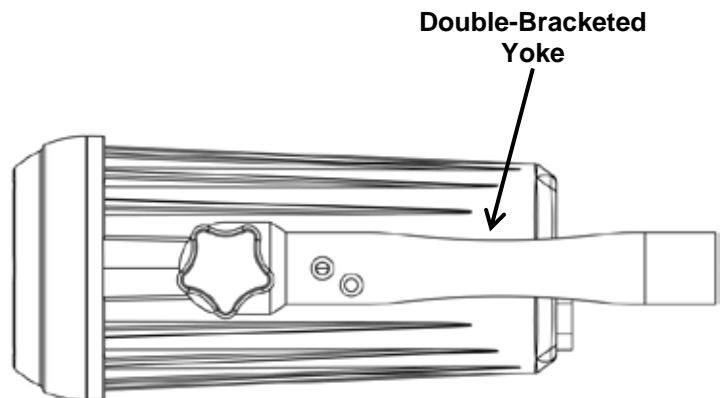
Front View



Top View

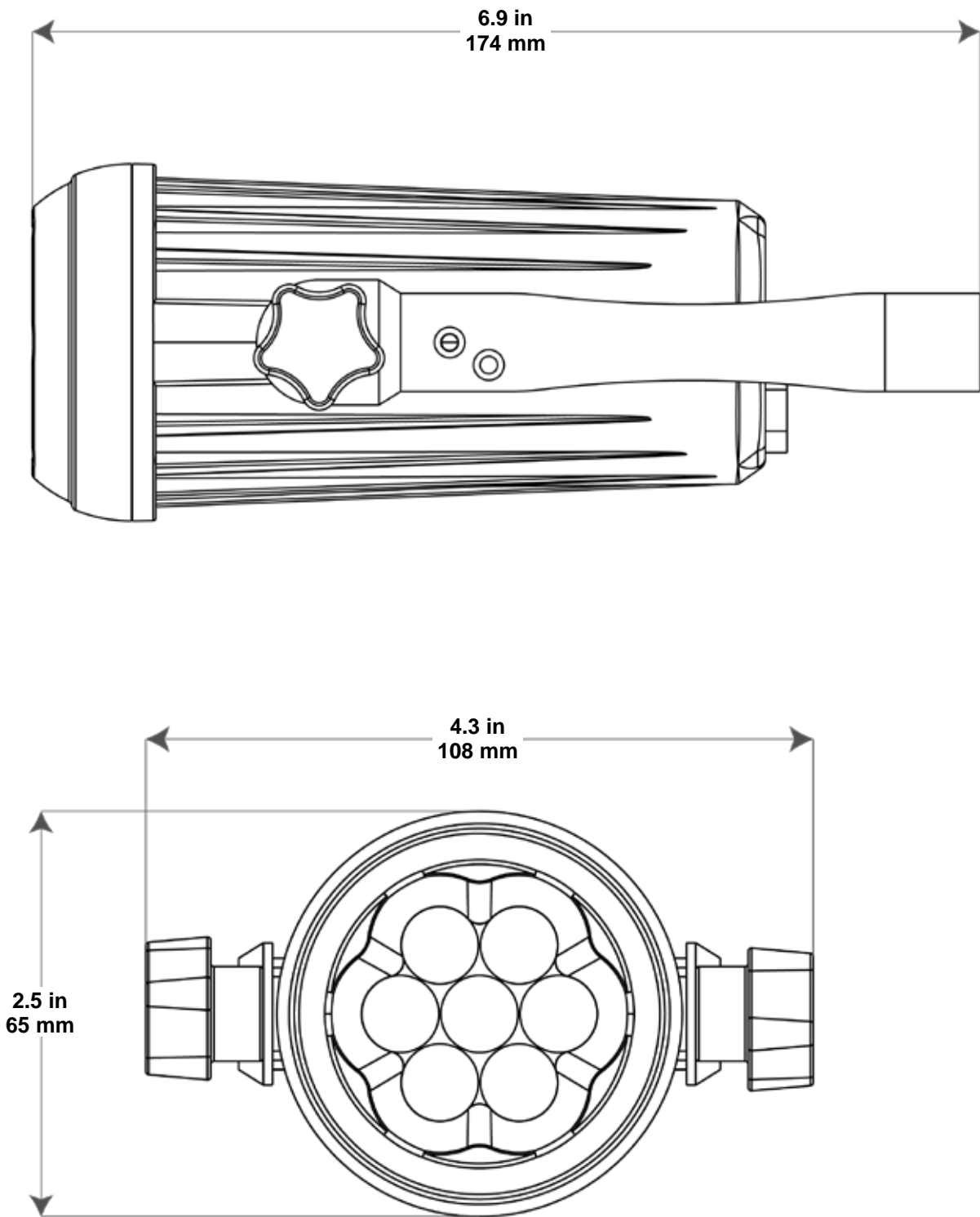


Rear View



Side View

Dimensions



3. SETUP

AC Power

Each COLORdash™ Accent has an auto-ranging power supply that works with an input voltage range of 100 to 240 VAC, 50/60 Hz. To determine the power requirements for each COLORdash™ Accent, refer to the label affixed to the product. You can also refer to the [Technical Specifications](#) chart in this manual.

The listed current rating indicates the maximum current draw during normal operation. For more information, you may download Sizing Circuit Breakers from the Chauvet website: www.chauvetprofessional.com.



- **Always connect this product to a protected circuit with an appropriate electrical ground to avoid the risk of electrocution or fire.**
- **To eliminate unnecessary wear and improve its lifespan, during periods of non-use completely disconnect the product from power via breaker or by unplugging it.**



Never connect this product to a rheostat (variable resistor) or dimmer circuit, even if the rheostat or dimmer channel serves only as a 0 to 100% switch.

AC Plug

The COLORdash™ Accent comes with a hard-wired power input cord terminated with an Edison plug. The product side of this power cord enters the product through a strain reliever (rubber boot) and it cannot be disconnected from the product. If the power input cord that came with your product has no plug, or if you need to change the Edison plug, use the table below to wire the new plug.

Connection	Wire (U.S.)	Wire (Europe)	Screw Color
AC Live	Black	Brown	Yellow or Brass
AC Neutral	White	Blue	Silver
AC Ground	Green/Yellow	Green/Yellow	Green

DMX Linking

You can link the COLORdash™ Accent to a DMX controller using a 3-pin DMX connection. If using other DMX-compatible products with the COLORdash™ Accent, you can control each individually with a single DMX controller.

DMX Personalities

The COLORdash™ Accent uses a 3-pin DMX data connection for the **STAGE1**, **ARC.1**, and **ARC.2** DMX personalities.

- Refer to the [Introduction](#) chapter for a brief description of each DMX personality.
- Refer to the [Operation](#) chapter to learn how to configure the COLORdash™ Accent to work in these personalities.
- The [DMX Values](#) section provides you with detailed information regarding the DMX personalities.



If you are not familiar with or need more information about DMX standards, Master/Slave connectivity, or the DMX cables needed to link this product to a DMX controller, download the DMX Primer from the Chauvet website: www.chauvetprofessional.com.

Master/Slave Connectivity

The Master/Slave mode allows a COLORdash™ Accent (the master) to control one or more COLORdash™ Accents (the slaves) without a DMX controller. One COLORdash™ Accent becomes the master when running an auto program, or by being in a Static mode.

You must configure each slave's control panel to operate in Slave mode. During Master/Slave operation, the slaves will operate in unison with the master.



DO NOT connect a DMX controller to products operating in Master/Slave mode. The DMX controller signals may interfere with the signals from the master.



The [Operation](#) section of this manual provides detailed instructions on how to configure the master and slaves.

Mounting Before mounting this product, read and follow the [Safety Notes](#). For our Chauvet line of mounting clamps, go to <http://trusst.com/products/>.

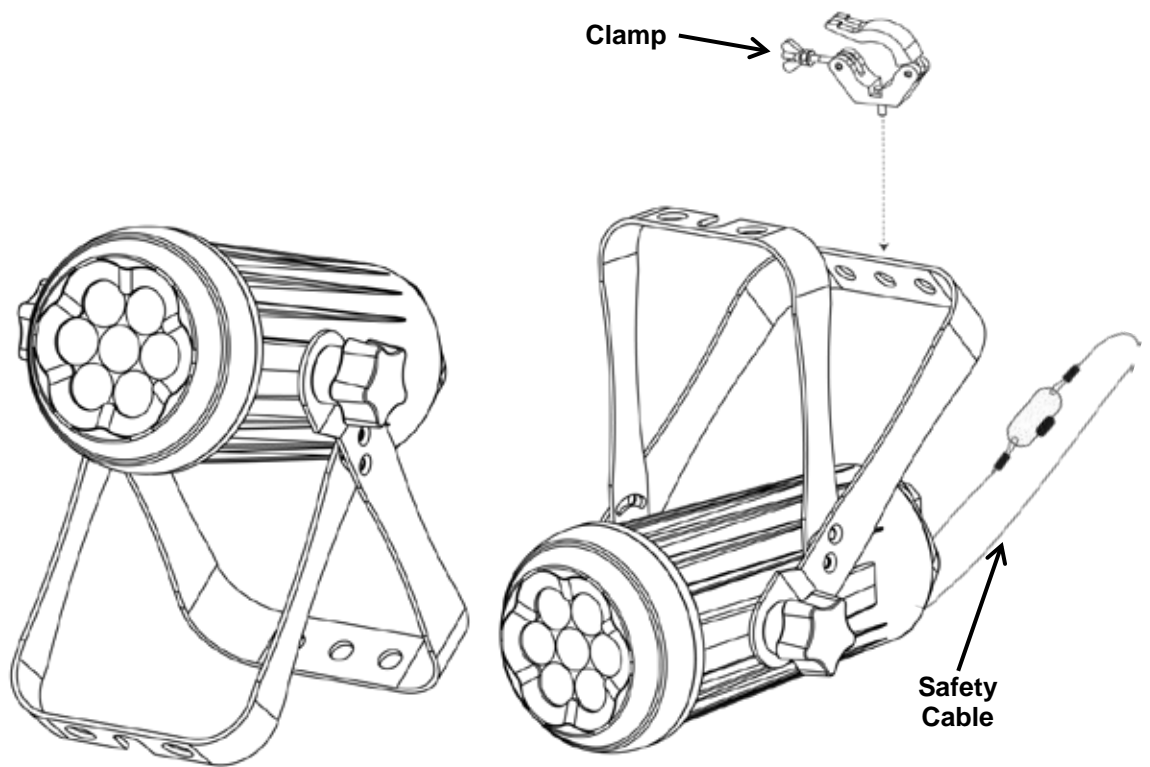
Orientation Always mount this product in a safe position and make sure there is adequate room for ventilation, configuration, and maintenance.

Rigging Chauvet recommends using the following general guidelines when mounting this product.

- When selecting an installation location, consider easy access to this product for operation, programming adjustments, and routine maintenance.
- The product is not intended for permanent installation.
- Make sure to mount this product away from any flammable material as indicated in the [Safety Notes](#).
- Never mount in places where rain, high humidity, extreme temperature changes, or restricted ventilation may affect the product.
- If hanging this product, make sure that the mounting location can support the product's weight. See the [Technical Specifications](#) for the weight-bearing requirements of this product.
- When hanging this product, always secure to a fastening device using a safety cable. For our Chauvet line of safety cables, go to <http://trusst.com/products/>.

Procedure The COLORdash™ Accent comes with a double-bracketed yoke to which you can either attach mounting clamps for hanging or simply use as a floor stand. You must supply your own mounting clamps. Make sure the clamps are capable of supporting the weight of this product. Use at least one mounting point per product. For our Chauvet line of mounting clamps, go to <http://trusst.com/products/>.

Mounting Diagram



Floor Mounting

Overhead Mounting

4. OPERATION

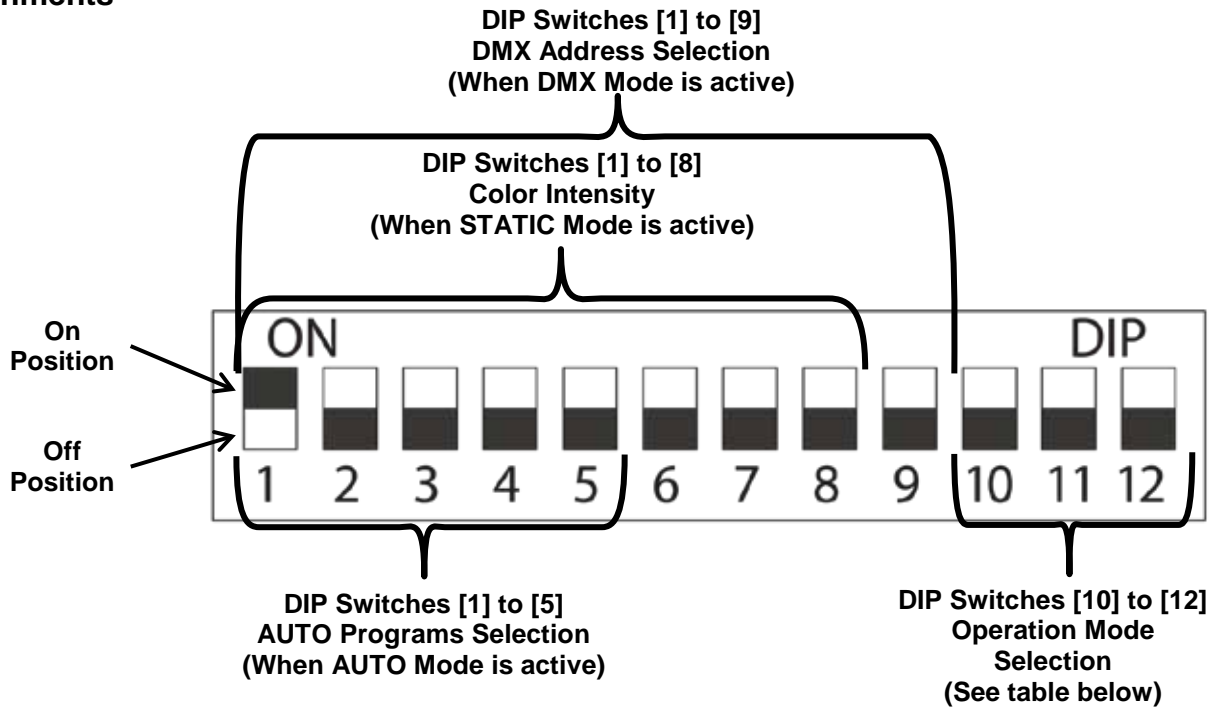
Control Panel Description

The COLORdash™ Accent has a basic control panel, which consists of a single 12-switch dual in-line package (DIP) switch module. Each of the individual switches has a number (DIP switch [1] through [12]).

The only function of DIP switches [10] through [12] is to set the product's operation mode. The function of DIP switches [1] to [9] will vary depending on which operation mode you have selected. The diagram below shows the [DIP Switch Assignments](#). The [Operation Modes](#) table shows the DIP switch setting to enable the various operating modes for the COLORdash™ Accent.

Control Options Dip Switch Assignments

You can set the COLORdash™ Accent starting address in the 001–512 DMX range. This enables control of up to 56 products in the 9-channel **STAGE1** personality.



- When the product is in DMX mode, DIP switches [1] to [9] define the product's starting address.
- When the product is in AUTO mode, DIP switches [1] to [5] determine which program will run.
- When the product is in STATIC mode, DIP switches [1] to [8] determine the intensity of the LEDs by color.

Operation Modes	DIP 10	DIP 11	DIP 12	Function
	On	Off	On	STATIC (Master)
Off	Off	On	AUTO (Master)	
On	Off	Off	Slave	
Off	On	Off	ARC.1	
On	On	Off	ARC.2	
Off	Off	Off	STAGE1	

Programming It is possible to change the product's various operation modes, DMX address, Auto, or Static mode settings while the product is on. Always make sure that you have clear access to the DIP switches on the back of the product for easier product changes.

Starting Address When any of the DMX modes is active as per the Operation Modes Table, you may select the product's starting DMX address (**001–512**) by setting DIP switches [1] through [9] as per the table below.

DIP Switch	1	2	3	4	5	6	7	8	9
Value	1	2	4	8	16	32	64	128	256

- Procedure**
1. Set DIP switches [10] through [12] to select a DMX operation mode, as per the [Operation Modes Table](#).
 2. Select the desired starting address (**001–512**) by setting DIP switches [1] through [9] to **ON** or **OFF** until the sum of the value of the DIP switches in the **ON** position matches the desired address number.
 3. Refer to the examples below for more information.

Starting Address Examples These three examples are for STAGE1 DMX mode. Therefore, in all three cases, DIP switches [10], [11], and [12] are set to **OFF**.

- a. To select DMX Address **1**, set DIP switch [1] to **ON**.



- b. To select DMX Address **64**, set DIP switch [7] to **ON**.



- c. To select DMX Address **31**, set DIP switches [1], [2], [3], [4], and [5] to **ON** (1 + 2 + 4 + 8 + 16 = 31).



If you are not familiar with or need more information about DMX standards or the DMX cables needed to link this product to a DMX controller, download the DMX Primer from the Chauvet website: www.chauvetprofessional.com.

STATIC Mode When selecting the Static mode, the COLORdash™ Accent can be set up to various colors and intensities without a DMX controller by using DIP switches [1] through [8] as per the tables below.

STATIC Mode Configuration

DIP Switch	Red		Green		Blue		White	
	[1]	[2]	[3]	[4]	[5]	[6]	[7]	[8]
0 %	Off	Off	Off	Off	Off	Off	Off	Off
30 %	On	Off	On	Off	On	Off	On	Off
60 %	Off	On	Off	On	Off	On	Off	On
100 %	On	On	On	On	On	On	On	On

- Procedure**
1. Set DIP switches [10] and [12] to **ON**, and DIP switch [11] to **OFF** to select Static Mode.
 2. Select the color intensity as indicated in the [STATIC Mode Configuration](#) table above.

AUTO Mode

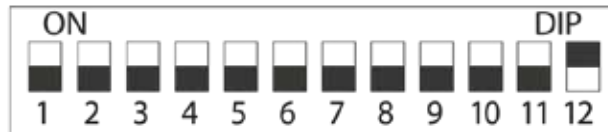
Auto Mode allows the user to select one of the 32 preset programs (0–31) on each individual COLORdash™ Accent.

Dip Switch	[1]	[2]	[3]	[4]	[5]
Value	1	2	4	8	16

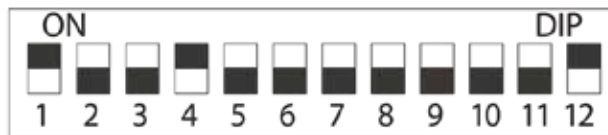
- Procedure**
1. Set DIP switches [10] and [11] to **OFF**, and DIP switch [12] to **ON** (Auto Mode).
 2. Select the desired program (0–31) by setting DIP switches [1] through [5] to **ON** or **OFF** until the sum of the value of the DIP switches in the ON position matches the desired program number.
 3. Refer to the examples below for more information.

Auto Mode Examples

- a. To select Auto program 0, set DIP switches [1] through [5] to **OFF** and DIP switch [12] to **ON**.



- b. To select Auto program 9, set DIP switches [1], [4], and [12] to **ON**.



Master/Slave

The Master/Slave mode allows a group of COLORdash™ Accents (the slave products) to simultaneously duplicate the output of another COLORdash™ Accent (the master product) without a DMX controller.

- a. Connect all COLORdash™ Accents in a daisy chain.
- b. Set up the first product in the daisy chain (Master) as explained in [STATIC Mode](#) or [AUTO Mode](#).
- c. On the rest of the COLORdash™ Accents, set DIP switch [10] to **ON**.



- **The master product is the one that runs a program whether in Auto or Static mode.**
- **Do not connect a DMX controller to the products configured for Master/Slave operation. The DMX controller may interfere with signals from the master product.**
- **The master product should be the first product in the daisy chain.**

DMX Values

STAGE1	Channel	Function	Value	Percent/Setting
	1	Dimmer	000-255	0-100%
	2	Red	000-255	0-100%
	3	Green	000-255	0-100%
	4	Blue	000-255	0-100%
	5	White	000-255	0-100%
	6	Color Macro + White Balance	000-010	No function
			011-035	R: 100% G: 0-100% B: 0
			036-060	R: 100%-0 G: 100% B: 0
			061-085	R: 0 G: 100% B: 0-100%
			086-110	R: 0 G: 100%-0 B: 100%
			111-135	R: 0-100% G: 0 B: 100%
			136-160	R: 100% G: 0 B: 100%-0
			161-185	R: 100% G: 0-100% B: 0-100%
			186-210	R: 100%-0 G: 100%-0 B: 100%
			211-215	White 1
			216-220	White 2
			221-225	White 3
			226-230	White 4
			231-235	White 5
	236-240	White 6		
	241-245	White 7		
	246-250	White 8		
	251-255	White 9		
	7	Strobe	000-009	No Function
			010-255	0-20 Hz

DMX Values (Cont.)

STAGE1 (Cont.)	Channel	Function	Value	Percent/Setting
8	8	Programs	000 020	No Function
			021 030	Auto 0
			031 040	Auto 1
			041 050	Auto 2
			051 060	Auto 3
			061 070	Auto 4
			071 080	Auto 5
			081 090	Auto 6
			091 100	Auto 7
			101 110	Auto 8
			111 120	Auto 9
			121 130	Auto 10
			131 140	Auto 11
			141 150	Auto 12
			151 160	Auto 13
			161 170	Auto 14
			171 180	Auto 15
			181 190	Auto 16
			191 200	Auto 17
			201 210	Auto 18
			211 220	Auto 19
			221 223	Auto 20 (Red)
			224 226	Auto 21 (Red & Green)
			227 229	Auto 22 (Red & Blue)
			230 232	Auto 23 (Red & White)
			233 235	Auto 24 (Green)
			236 238	Auto 25 (Green & Blue)
			239 241	Auto 26 (Green & White)
			242 244	Auto 27 (Blue)
			245 247	Auto 28 (Blue & White)
			248 250	Auto 29 (White)
			251 253	Auto 30 (Red & Green & Blue)
254 255	Auto 31 (Red & Green & Blue & White)			
9	9	Auto Speed	000 255	Only when Auto 0–19 in Ch. 8 is activated

ARC.1	Channel	Function	Value	Percent/Setting
	1	Red	000 255	0–100%
	2	Green	000 255	0–100%
	3	Blue	000 255	0–100%

ARC.2	Channel	Function	Value	Percent/Setting
	1	Red	000 255	0–100%
	2	Green	000 255	0–100%
	3	Blue	000 255	0–100%
	4	White	000 255	0–100%

5. TECHNICAL INFORMATION

Product Maintenance

To maintain optimum performance and minimize wear, you should clean this product frequently. Usage and environment are contributing factors in determining the cleaning frequency.

As a rule, clean this product at least twice a month. Dust build-up reduces light output performance and can cause overheating. This can lead to reduced light source life and increased mechanical wear.

To clean your product:

1. Unplug the product from power.
2. Wait until the product is at room temperature.
3. Use a vacuum (or dry compressed air) and a soft brush to remove dust collected on the external vents.
4. Clean all external surfaces with a mild solution of non-ammonia glass cleaner or isopropyl alcohol.
5. Apply the solution directly to a soft, lint-free cotton cloth or a lens cleaning tissue.
6. Wipe any dirt or grime to the outside edges of the lens surface.
7. Gently polish the lens surfaces until they are free of haze and lint.



Always dry the external surfaces thoroughly and carefully after cleaning them.

6. TECHNICAL SPECIFICATIONS

Dimensions and Weight	Length	Width	Height	Weight
	6.9 in (174 mm)	4.3 in (108 mm)	2.5 in (65 mm)	1.5 lb (0.6 kg)
Note: Dimensions in inches rounded to the nearest decimal digit.				
Power	Power Supply Type	Range	Voltage Selection	
	Switching (internal)	100–240 VAC, 50/60 Hz	Auto-ranging	
	Parameter	120 VAC, 60 Hz	230 VAC, 50 Hz	
	Consumption	10 W	10 W	
	Current	0.1 A	0.1 A	
	Power I/O	U.S./Canada	Worldwide	
	Power input connector	Hard-wired	Hard-wired	
Power cord plug	Edison (U.S.)	Local plug		
Light Source	Type	Power	Lifespan	
	LED	1 W	50,000 hours	
	Color	Quantity	Current	
	Red	2	350 mA	
	Green	2	350 mA	
	Blue	2	350 mA	
	White	1	350 mA	
Photometrics	Parameter	Standard 18° Optics		
	Illuminance @ 5 m	153 lux		
	Beam angle	20°		
	Field angle	37.5°		
Thermal	Max. External Temperature	Cooling System		
	113 °F (45 °C)	Convection		
DMX	I/O Connectors	Connector Type	Channel Range	
	3-pin XLR	Sockets	3, 4 or 9	
Ordering	Product Name	Item Code	UPC Number	
	COLORdash™ Accent	01030111	781462203825	



Returns You must send the product prepaid, in the original box, and with the original packing and accessories. Chauvet will not issue call tags.

Call Chauvet and request a Return Merchandise Authorization (RMA) number before shipping the product. Be prepared to provide the model number, serial number, and a brief description of the cause(s) for the return.

Clearly label the package with an RMA number. Chauvet will refuse any product returned without an RMA number.



DO NOT write the RMA number directly on the box. Instead, write it on a properly affixed label.

Once you have received the RMA number, include the following information on a piece of paper inside the box:

- Your name
- Your address
- Your phone number
- The RMA number
- A brief description of the problem(s)

Be sure to pack the product properly. Any shipping damage resulting from inadequate packaging will be the customer's responsibility. FedEx packing or double-boxing is recommended.



Chauvet reserves the right to use its own discretion to repair or replace returned product(s).

CONTACT Us

WORLD HEADQUARTERS - Chauvet

General Information

Address: 5200 NW 108th Avenue
Sunrise, FL 33351

Voice: (954) 577-4455

Fax: (954) 929-5560

Toll free: (800) 762-1084

Technical Support

Voice: (954) 577-4455 (Press 4)

Fax: (954) 756-8015

Email: tech@chauvetlighting.com

World Wide Web www.chauvetlighting.com

UNITED KINGDOM AND IRELAND - Chauvet Europe Ltd.

General Information

Address: Unit 1C
Brookhill Road Industrial Estate
Pinxton, Nottingham, UK
NG16 6NT

Voice: +44 (0)1773 511115

Fax: +44 (0)1773 511110

Technical Support

Email: uktech@chauvetlighting.com

World Wide Web www.chauvetlighting.co.uk

MEXICO - Chauvet Mexico

General Information

Address: Av. Santa Ana 30
Parque Industrial Lerma
Lerma, Mexico C.P. 52000

Voice: +52 (728) 285-5000

Technical Support

Email: servicio@chauvet.com.mx

World Wide Web www.chauvet.com.mx

CHAUVET EUROPE - Chauvet Europe BVBA

General Information

Address: Stokstraat 18
9770 Kruishoutem
Belgium

Voice: +32 9 388 93 97

Technical Support

Email: Eutech@chauvetlighting.eu

World Wide Web www.chauvetlighting.eu

Outside the U.S., United Kingdom, Ireland, Mexico, or Benelux contact the dealer of record. Follow their instructions to request support or to return a product. Visit our website for contact details.